

## Omnia ULS

## Vertical wall-mounting or free-standing installation

- Compact dimensions, thickness 129 mm
- Low operating temperature
- Cooling, heating, and dehumidification



### DESCRIPTION

The Omnia Slim fan coils have been designed to meet the need to combine the typical features of a classic radiator - namely reduced depth and quiet operation - with the ability of a fan coil to air-condition rooms throughout the year.

They can be installed on any system with a 2-pipe system and it fits with any heat generator even at low temperatures, and thanks to varied versions and settings, it is easy to pick the ideal solution for any need.

### VERSIONS

**ULS** Standard without control board

**ULS\_C** With on-board thermostat

### FEATURES

#### Case

Structure in sheet metal, 12/10 and 8/10 mm.

Front cover in 8/10 mm galvanised sheet metal with RAL9003 white epoxy powder coating and thermal-acoustic insulation of 13 mm thickness.

#### Ventilation group

These fan coils have extremely silent ventilation by using special tangential fans, which guarantees maximum acoustic comfort.

The electric motor is a 3-speed single-phase motor with a permanently inserted condenser.

#### Heat exchanger coil

With copper pipes and aluminium fins, the main coil has female gas water connections on the left side and the manifolds have air vents.

The coil is not suitable for use in corrosive atmosphere or in environments where aluminium may be subject to corrosion.

- *The coil has hydraulic connections on the left and is not reversible.*

#### Control

With thermostatic adjustment and manual or no-adjustment switching, for combination with any wall panel or with the AERMEC VMF system.

#### ACCESSORIES

**T-TOUCH-S:** Touch control installation on-board the fan coil. The ThermApp application is also available for remote control with smart devices with the Android operating system.

**TXBS:** Thermostat installation on the fan coil.

**KITSV:** Kit for installing the VMF-E0X or VMF-E19.

**VMF-E2S:** User interface on the fan coil, with two selectors - one for temperature and the other for speed control. For operation, the installation of either the VMF-E0X or the VMF-E19 accessory is required.

**BCSV:** Condensate collection tray, for valve kit.

**DSC7:** Condensate drainage device.

**VCS2:** 2-way motorised valve kit without insulating shell. The kit is made up of a valve, actuator and relative hydraulic fittings.

**VCS3:** 3-way motorised valve kit without insulating shell for the main coil. The kit is made up of a valve with its insulating shell, actuator and relative hydraulic fittings.

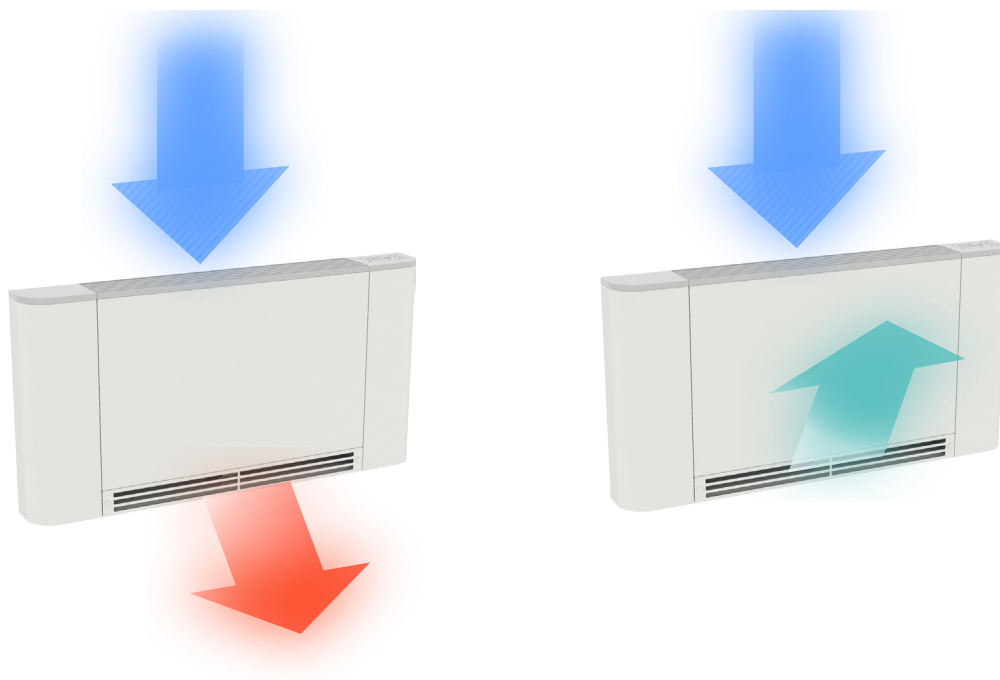
**ZXS:** Pair of stylish and structural feet.

## MAIN FEATURES



- 1 Air/water exchange coils with aluminium fins and copper piping, arranged across 2 rows.
- 2 Front cover in 8/10 mm galvanised sheet metal with RAL9003 white epoxy powder coating and thermal-acoustic insulation of 13 mm thickness.
- 3 Plastic recovery grille with air filter.
- 4 Tangential fan driven by a 3-speed motor.
- 5 Aluminium recovery grille and sheet metal delivery grille, with a special design conceived to create a homogeneous flow of air, both in summer and winter operation.

## Flow rates



## ACCESSORIES COMPATIBILITY

Model	Ver	10	20	30	40	50
T-TOUCH-S (1)	ULS	•	•	•	•	•
TXBS (1)	ULS	•	•	•	•	•

(1) Installation on the fan coil.

### VMF system

Model	Ver	10	20	30	40	50
KITSV (1)	ULS	•	•	•	•	•
VMF-E2S (2)	ULS	•	•	•	•	•

(1) Obligatory when the VMF-E2S thermostat is required.

(2) Installation on the fan coil.

### 3 way valve kit

Model	Ver	10	20	30	40	50
VCS3 (1)	ULS,ULS_C	•	•	•	•	•

(1) Power supply 230V - Hydraulic connections Ø 1/2"

### 2 way valve kit

Model	Ver	10	20	30	40	50
VCS2 (1)	ULS,ULS_C	•	•	•	•	•

(1) Power supply 230V - Hydraulic connections Ø 1/2"

### Condensate drip

Model	Ver	10	20	30	40	50
BCSV	ULS,ULS_C	•	•	•	•	•

### Condensate drainage

Model	Ver	10	20	30	40	50
DSC7	ULS,ULS_C	•	•	•	•	•

### Pair of stylish structural feet

Model	Ver	10	20	30	40	50
ZXS	ULS,ULS_C	•	•	•	•	•

## PERFORMANCE SPECIFICATIONS

### 2-pipe

	ULS10			ULS20			ULS30			ULS40			ULS50		
	1	2	3	1	2	3	1	2	3	1	2	3	1	2	3
	L	M	H	L	M	H	L	M	H	L	M	H	L	M	H

#### Heating performance 70 °C / 60 °C (1)

Heating capacity	kW	0,61	1,16	1,64	1,14	2,18	3,08	1,48	2,84	4,00	1,89	3,64	5,13	2,27	4,37	6,15
Water flow rate system side	l/h	53	102	144	99	191	269	129	248	350	166	318	448	199	382	538
Pressure drop system side	kPa	1	4	7	4	11	21	3	8	15	4	13	25	3	9	16

#### Heating performance 45 °C / 40 °C (2)

Heating capacity	kW	0,30	0,58	0,82	0,56	1,09	1,53	0,73	1,41	1,99	0,94	1,81	2,55	1,13	2,17	3,06
Water flow rate system side	l/h	52	101	142	98	189	266	128	245	346	164	315	443	196	378	532
Pressure drop system side	kPa	1	4	7	4	12	22	3	9	16	4	14	26	3	9	17

#### Cooling performance 7 °C / 12 °C (3)

Cooling capacity	kW	0,30	0,57	0,80	0,55	1,07	1,50	0,72	1,38	1,95	0,92	1,78	2,50	1,11	2,13	3,00
Sensible cooling capacity	kW	0,22	0,43	0,62	0,42	0,81	1,17	0,54	1,05	1,52	0,69	1,35	1,95	0,83	1,62	2,34
Water flow rate system side	l/h	51	97	137	95	183	257	124	238	335	158	305	429	190	366	515
Pressure drop system side	kPa	1	4	8	4	13	25	3	10	18	5	16	29	3	10	19

### Fan

Type	type	Tangential														
Fan motor	type	On-Off														
Number	no.	1			1			1			2			2		
Air flow rate	m <sup>3</sup> /h	47	86	115	87	158	210	111	203	270	144	263	350	161	293	390
Input power	W	9	16	21	15	21	32	17	32	42	22	40	53	18	26	56
Electrical wiring		V1	V2	V3	V1	V2	V3	V1	V2	V3	V1	V2	V3	V1	V2	V3

#### Fan coil sound data (4)

Sound power level	dB(A)	42,0	49,0	52,0	42,0	49,0	52,0	43,0	50,0	53,0	44,0	51,0	54,0	45,0	52,0	55,0
-------------------	-------	------	------	------	------	------	------	------	------	------	------	------	------	------	------	------

#### Diameter hydraulic fittings

Main coil	Ø	1/2"														
-----------	---	------	--	--	--	--	--	--	--	--	--	--	--	--	--	--

#### Power supply

Power supply	230V~50Hz															
--------------	-----------	--	--	--	--	--	--	--	--	--	--	--	--	--	--	--

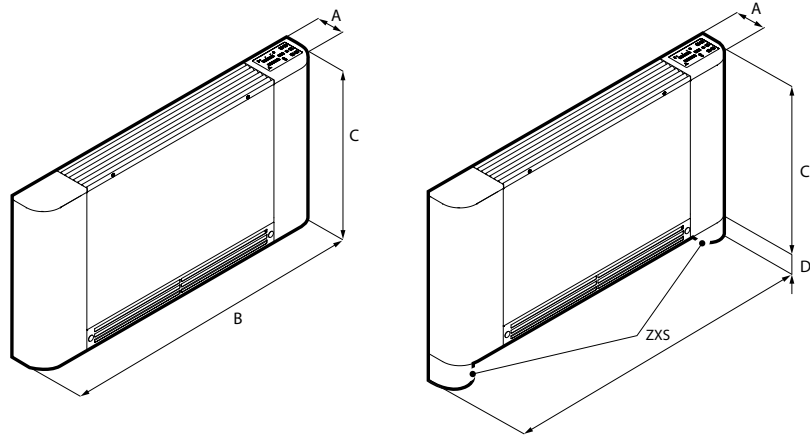
(1) Room air temperature 20 °C d.b.; Water (in/out) 70 °C/60 °C

(2) Room air temperature 20 °C d.b.; Water (in/out) 45 °C/40 °C; EUROVENT

(3) Room air temperature 27 °C d.b./19 °C w.b.; Water (in/out) 7 °C/12 °C; EUROVENT

(4) Aermec determines the sound power value on the basis of measurements taken in accordance with standard UNI EN 16583:15, respecting the Eurovent certification.

## DIMENSIONS



Size			10	20	30	40	50
<b>Dimensions and weights</b>							
A	ULS,ULS_C	mm	129	129	129	129	129
B	ULS,ULS_C	mm	730	922	1114	1298	1490
C	ULS	mm	579	579	579	579	579
	ULS_C	mm	585	585	585	585	585
D	ULS,ULS_C	mm	80	80	80	80	80

Aermec reserves the right to make any modifications deemed necessary.  
All data is subject to change without notice. Aermec does not assume  
responsibility or liability for errors or omissions.

**Aermec S.p.A.**

Via Roma, 996 - 37040 Bevilacqua (VR) - Italia  
Tel. 0442633111 - Telefax 044293577  
[www.aermec.com](http://www.aermec.com)