

Omnia UL

Universal and floor installation

- Fully silent functioning
- Ideal for residential or office solutions



DESCRIPTION

Fan coils with inverter technology for heating, cooling, and dehumidifying. Equipped with a state of the art ventilation unit with continuous modulation of the air flow rate, which allows for precise adaptation of the actual indoor ambient requirements without temperature oscillations, for increased comfort, also in terms of noise, and electrical savings.

It can be installed on 2-pipe systems and combined with any heat generator even at low temperatures. Choosing the optimal solution for any requirement is easy thanks to the various versions available and to the possibility of horizontal or vertical installation, depending on the version.

VERSIONS

- C** Vertical installation, intake at base, electronic thermostat
- PC** Vertical installation, intake at base, electronic thermostat, Cold Plasma purifier
- S** Vertical and horizontal installation, intake at base, without commands
- UL** Standard - Vertical installation, bottom intake, manual switch-over

FEATURES

Case

Protective metal cabinet with anti-corrosion polyester RAL 9002 paint, whereas the head with the air distribution grille is in RAL 7047 plastic.

Ventilation group

Comprised of a dual intake centrifugal fan that is particularly silent, statically and dynamically balanced and directly coupled to the motor shaft.

The electric motor is single-phase multi-speed (3 selectable), mounted on anti-vibration supports and with a permanently inserted capacitor. The plastic augers are extractable for easy and efficient cleaning.

Heat exchanger coil

With copper pipes and aluminium fins, the main coil has female gas water connections on the left side and the manifolds have air vents. The coil is not suitable for use in corrosive atmosphere or in environments where aluminium may be subject to corrosion.

- *The hydraulic connections can be inverted during installation.*

Condensate drip

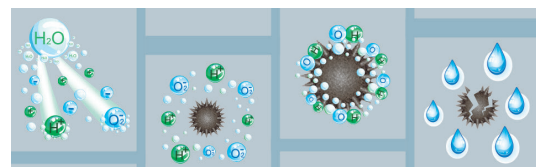
Provided standard in plastic and fixed to the interior structure; with external condensate discharge.

Air filter

The fan coils have, as standard, precharged electrostatic filters. These filters, thanks to their special execution, attracts and retains all suspended dust particles, thus guaranteeing pure breathable air to the whole family.

APC versions equipped with Coldplasma Air purifier.

The purifier is able to reduce pollutants, decomposing their molecules using electrical charges, causing the water molecules in the air to split into positive and negative ions. These ions neutralise the molecules in the gaseous pollutants, obtaining products normally present in clean air. The device is able to eliminate 90% of the bacteria. The result is clean, ionized air, free of foul odours.



ACCESSORIES

AER503IR: Flush-mounting thermostat with backlit display, capacitive keypad and infrared receiver, for controlling both brushless fan coils and those with an asynchronous motor. In 2-pipe systems, the thermostat can control standard fan coils or those equipped with an electric heater, with air purifying devices (Cold Plasma and germicidal lamp), with radiant plate or with FCZ-D twin delivery (Dualjet). In addition, it can control systems with radiant panels or mixed (fan coil and radiant floor) systems. Being equipped with an infrared receiver, it can, in turn, be controlled by the VMF-IR remote control.

PRO503: Wall box for AER503IR and VMF-E4 thermostats.

SA5: air probe kit (L = 15 m) with probe-locking cable grommet.

SW3: Water probe (L = 2.5 m) for controlling the minimum and maximum and to allow automatic seasonal switching for electronic thermostats fitted with water side changeover.

SW5: water probe kit (L = 15m) with probe-holder connection point, fixing clip and probe-holder from heat exchanger.

TX: Wall-mounting thermostat for controlling either brushless fan coils or those with asynchronous motors. In 2-pipe systems, the thermostat can control standard fan coils or those equipped with an electric heater, with air purifying devices, radiant plate or FCZ-D twin delivery (Dualjet).

WMT05: Electronic thermostat with thermostated ventilation.

WMT10: Electronic thermostat, white, with thermostated or continuous ventilation.

VMF-E0X: Thermostat to be secured to the side of the fan coil, fitted as standard with an air probe and a water probe.

VMF-E2D: User interface on the machine, to be combined with the VMF-E19 accessory.

VMF-E3: Wall mounted user interface, to be combined with accessories VMF-E19, VMF-E19I, VMF-E0X with grids GLF_N/M and GLL_N, can be controlled with VMF-IR control.

VMF-E4DX: Wall-mounted user interface. Grey front panel PANTONE 425C (METAL).

VMF-E4X: Wall-mounted user interface. Light grey front panel PANTONE COOL GRAY 1C.

VMF-IR: User interface compatible with the AER503IR thermostat and with all the grids of cassettes equipped with the infrared receiver compatible with the VMF system.

AMP: Wall mounting kit

DSC: Condensate drainage device.

VCH: 3-way motorised valve kit. The kit consists of a valve, an actuator and the relative pipe fittings. It can be installed on fan coils with both right and left connections.

VCHD: 2-way motorised valve kit. The kit consists of a valve, an actuator and the relative pipe fittings. It can be installed on fan coils with both right and left connections.

BC: Condensate drip.

GU: Intake grid covers the front space between the ornamental feet and does not interfere with the filter.

PCU: Sheet metal panel closing the rear of the unit.

ZU: Pair of stylish and structural feet.

ACCESSORIES COMPATIBILITY

Model	Ver	11	16	26	36
AER503IR (1)	S	•	•	•	•
PRO503	S	•	•	•	•
SA5 (2)	S	•	•	•	•
SW3 (2)	C,PC	•	•	•	•
SW5 (2)	S	•	•	•	•
TX (1)	S	•	•	•	•
WMT05	S	•	•	•	•
WMT10	S	•	•	•	•

(1) Wall-mount installation.

(2) Probe for AER503IR-TX thermostats, if fitted.

VMF system

Model	Ver	11	16	26	36
VMF-E0X (1)	S	•	•	•	•
VMF-E2D	S	•	•	•	•
VMF-E3	S	•	•	•	•
VMF-E4DX	S	•	•	•	•
VMF-E4X	S	•	•	•	•
VMF-IR	S	•	•	•	•

(1) Also the accessory VMF-SIT3 is mandatory if the unit exceeds 0.7 Amperes.

Condensate drip

Model	Ver	11	16	26	36
BC10 (1)	C,PC,S,UL	•	•	•	•
BC20 (2)	C,PC,S,UL	•	•	•	•

(1) For vertical installation.

(2) For horizontal installation.

Condensate drainage

Model	Ver	11	16	26	36
DSC5 (1)	C,PC,S,UL	•	•	•	•

(1) The accessory cannot be fit if the accessory BC10 or BC20 is installed.

3 way valve kit

Model	Ver	11	16	26	36
VCH	C,PC,S,UL	•	•	•	•

2 way valve kit

Model	Ver	11	16	26	36
VCHD	C,PC,S,UL	•	•	•	•

Wall mounting kit

Model	Ver	11	16	26	36
AMP10	C,PC	•	•	•	•

Panel closing the rear of the unit

Ver	11	16	26	36
C,PC,S,UL	PCU10	PCU15	PCU25	PCU35

Intake grids

Ver	11	16	26	36
C,PC,S,UL	GU10 (1)	GU15 (1)	GU25 (1)	GU35 (1)

(1) The combination with a pair of stylish and structural feet is mandatory.

Pair of stylish structural feet

Model	Ver	11	16	26	36
ZU	C,PC,S,UL	•	•	•	•

Configuration

Field	Description
1,2	UL
3,4	Size 11, 16, 26, 36
5	Version
C	Vertical installation, intake at base, electronic thermostat
PC	Vertical installation, intake at base, electronic thermostat, Cold Plasma purifier
S	Vertical and horizontal installation, intake at base, without commands
UL	Standard - Vertical installation, bottom intake, manual switch-over

PERFORMANCE SPECIFICATIONS

2-pipe

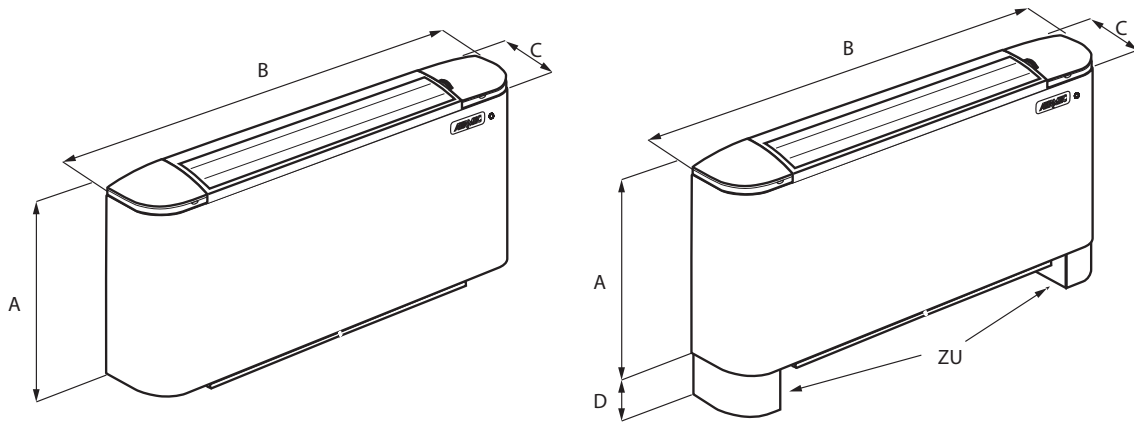
	UL11			UL16			UL26			UL36			
	1	2	3	1	2	3	1	2	3	1	2	3	
	L	M	H	L	M	H	L	M	H	L	M	H	
Heating performance 70 °C / 60 °C (1)													
Heating capacity	kW	1,06	1,46	2,01	1,54	2,12	2,91	2,89	3,83	4,62	3,53	4,87	5,94
Water flow rate system side	l/h	93	128	176	135	186	255	254	336	405	310	427	521
Pressure drop system side	kPa	1	1	2	1	2	4	5	8	11	3	5	7
Heating performance 45 °C / 40 °C (2)													
Heating capacity	kW	0,52	0,73	1,00	0,76	1,05	1,44	1,44	1,90	2,29	1,75	2,42	2,95
Water flow rate system side	l/h	92	126	174	133	183	251	249	331	399	305	420	513
Pressure drop system side	kPa	1	1	2	2	2	2	5	8	11	7	12	18
Cooling performance 7 °C / 12 °C (3)													
Cooling capacity	kW	0,53	0,67	0,82	0,69	0,87	1,17	1,26	1,65	1,99	1,63	2,26	2,79
Sensible cooling capacity	kW	0,38	0,52	0,68	0,52	0,69	0,96	0,97	1,30	1,61	1,13	1,59	2,00
Water flow rate system side	l/h	94	117	145	122	153	206	220	289	349	286	394	487
Pressure drop system side	kPa	1	2	2	2	3	5	6	8	11	7	13	19
Fan													
Type	type	Asynchronous											
Fan motor	type	Centrifugal											
Number	no.	1			1			2			2		
Air flow rate	m ³ /h	80	120	180	110	160	240	190	270	350	240	350	460
Input power	W	8	12	18	23	25	32	24	27	35	30	35	42
Electrical wiring		V1	V2	V3	V1	V2	V3	V1	V2	V3	V1	V2	V3
Sound power level	dB(A)	31,0	37,0	46,0	34,0	43,0	48,0	35,0	43,0	48,0	34,0	43,0	50,0
Sound pressure level (10 m)	dB(A)	23,0	29,0	38,0	26,0	35,0	40,0	27,0	35,0	40,0	26,0	33,0	42,0
Water coil													
Water content	l	0,30			0,40			0,60			0,80		
Diameter hydraulic fittings													
Main coil	∅	1/2"											
Power supply													
Power supply		230V~50Hz											

(1) Room air temperature 20 °C d.b.; Water (in/out) 70 °C/60 °C

(2) Room air temperature 20 °C d.b.; Water (in/out) 45 °C/40 °C; EUROVENT

(3) Room air temperature 27 °C d.b./19 °C w.b.; Water (in/out) 7 °C/12 °C; EUROVENT

DIMENSIONS



Size			11	16	26	36
Dimensions and weights						
A	C,PC,S,UL	mm	513	513	513	513
B	C,PC,S,UL	mm	640	750	980	1200
C	C,PC,S,UL	mm	173	173	173	173
D	C,PC,S,UL	mm	93	93	93	93
Empty weight	C,PC,S,UL	kg	12	14	16	20

Aermec reserves the right to make any modifications deemed necessary.
All data is subject to change without notice. Aermec does not assume
responsibility or liability for errors or omissions.

Aermec S.p.A.
Via Roma, 996 - 37040 Bevilacqua (VR) - Italia
Tel. 0442633111 - Telefax 044293577
www.aermec.com