

Omnia ULS

Vertical wall-mounting or free-standing installation

- Compact dimensions, thickness 129 mm
- Low operating temperature
- Cooling, heating, and dehumidification



DESCRIPTION

The Omnia Slim fan coils have been designed to meet the need to combine the typical features of a classic radiator - namely reduced depth and quiet operation - with the ability of a fan coil to air-condition rooms throughout the year.

They can be installed on any system with a 2-pipe system and it fits with any heat generator even at low temperatures, and thanks to varied versions and settings, it is easy to pick the ideal solution for any need.

VERSIONS

ULS Standard without control board

ULS_C With on-board thermostat

FEATURES

Case

Structure in sheet metal, 12/10 and 8/10 mm.

Front cover in 8/10 mm galvanised sheet metal with RAL9003 white epoxy powder coating and thermal-acoustic insulation of 13 mm thickness.

Ventilation group

These fan coils have extremely silent ventilation by using special tangential fans, which guarantees maximum acoustic comfort.

The electric motor is a 3-speed single-phase motor with a permanently inserted condenser.

Heat exchanger coil

With copper pipes and aluminium fins, the main coil has female gas water connections on the left side and the manifolds have air vents.

The coil is not suitable for use in corrosive atmosphere or in environments where aluminium may be subject to corrosion.

The coil has hydraulic connections on the left and is not reversible.

Control

With thermostatic adjustment and manual or no-adjustment switching, for combination with any wall panel or with the AERMEC VMF system.

ACCESSORIES

AER503IR: Flush-mounting thermostat with backlit display, capacitive keypad and infrared receiver, for controlling both brushless fan coils and those with an asynchronous motor. In 2-pipe systems, the thermostat can control standard fan coils or those equipped with an electric heater, with air purifying devices (Cold Plasma and germicidal lamp), with radiant plate or with FCZ-D twin delivery (Dualjet). In addition, it can control systems with radiant panels or mixed (fan coil and radiant floor) systems. Being equipped with an infrared receiver, it can, in turn, be controlled by the VMF-IR remote control.

PRO503: Wall box for AER503IR and VMF-E4 thermostats.

SA5: air probe kit (L = 15 m) with probe-locking cable grommet.

SW3: Water temperature probe (L = 2.5 m).

SW5: Water probe kit (L = 15m) with probe-holder connection point, fixing clip and probe-holder from heat exchanger.

T-TOUCH-S: Touch control installation on-board the fan coil. The ThermApp application is also available for remote control with smart devices with the Android operating system.

TX: Wall-mounting thermostat for controlling either brushless fan coils or those with asynchronous motors. In 2-pipe systems, the thermostat can control standard fan coils or those equipped with an electric heater, with air purifying devices, radiant plate or FCZ-D twin delivery (Dualjet).

TXBS: Thermostat installation on the fan coil.

KITSV: Kit for installing the VMF-E0X or VMF-E19.

VMF-E19: Thermostat to be secured to the side of the fan coil, fitted as standard with an air probe and a water probe.

VMF-E2S: User interface on the fan coil, with two selectors - one for temperature and the other for speed control. For operation, the installation of either the VMF-E0X or the VMF-E19 accessory is required.

VMF-E3: Wall mounted user interface, to be combined with accessories VMF-E19, VMF-E19I, VMF-E0X with grids GLF_N/M and GLL_N, can be controlled with VMF-IR control.

VMF-E4DX: Wall-mounted user interface. Grey front panel PANTONE 425C (METAL).

VMF-E4X: Wall-mounted user interface. Light grey front panel PANTONE COOL GRAY 1C.

VMF-IR: User interface compatible with the AER503IR thermostat and with all the grids of cassettes equipped with the infrared receiver compatible with the VMF system.

BCSV: Condensate collection tray, for valve kit.

DSC7: Condensate drainage device.

VCS2: 2-way motorised valve kit without insulating shell. The kit is made up of a valve, actuator and relative hydraulic fittings.

VCS3: 3-way motorised valve kit without insulating shell for the main coil. The kit is made up of a valve with its insulating shell, actuator and relative hydraulic fittings.

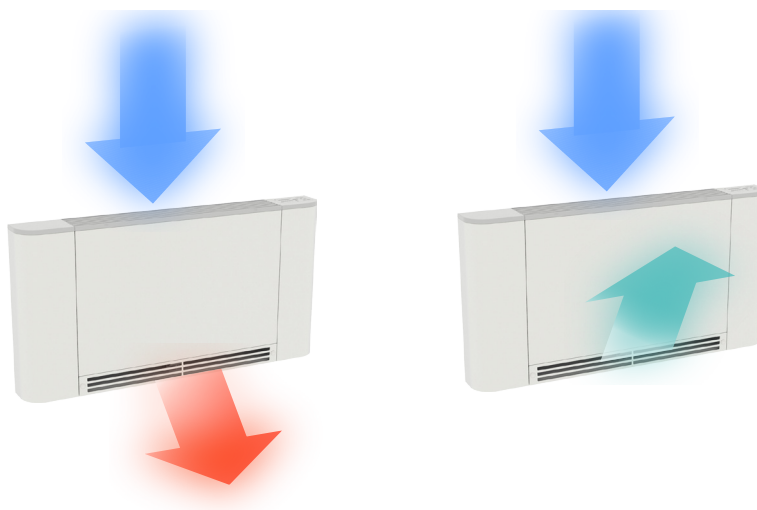
ZXS: Pair of stylish and structural feet.

MAIN FEATURES



- 1 Air/water exchange coils with aluminium fins and copper piping, arranged across 2 rows.
- 2 Front cover in 8/10 mm galvanised sheet metal with RAL9003 white epoxy powder coating and thermal-acoustic insulation of 13 mm thickness.
- 3 Plastic recovery grille with air filter.
- 4 Tangential fan driven by a 3-speed motor.
- 5 Aluminium recovery grille and sheet metal delivery grille, with a special design conceived to create a homogeneous flow of air, both in summer and winter operation.

Flow rates



ACCESSORIES COMPATIBILITY

Model	Ver	10	20	30	40	50
AERS03IR (1)	ULS	*	*	*	*	*
PRO503	ULS	*	*	*	*	*
SA5 (2)	ULS	*	*	*	*	*
SW3 (2)	ULS	*	*	*	*	*
SW5 (2)	ULS	*	*	*	*	*
T-TOUCH-S (3)	ULS	*	*	*	*	*
TX (1)	ULS	*	*	*	*	*
TXBS (3)	ULS	*	*	*	*	*

- (1) Wall-mount installation.
 (2) Probe for AERS03IR-TX thermostats, if fitted.
 (3) Installation on the fan coil.

VMF system

Model	Ver	10	20	30	40	50
KITSV (1)	ULS	*	*	*	*	*
VMF-E19	ULS	*	*	*	*	*
VMF-E2S (2)	ULS	*	*	*	*	*
VMF-E3	ULS	*	*	*	*	*
VMF-E4DX	ULS	*	*	*	*	*
VMF-E4X	ULS	*	*	*	*	*
VMF-IR	ULS	*	*	*	*	*

- (1) Mandatory when the VMF-E19 or VMF-E0X thermostat is required.
 (2) Installation on the fan coil.

3 way valve kit

Model	Ver	10	20	30	40	50
VCS3 (1)	ULS,ULS_C	*	*	*	*	*

- (1) Power supply 230V - Hydraulic connections Ø 1/2"

2 way valve kit

Model	Ver	10	20	30	40	50
VCS2 (1)	ULS,ULS_C	*	*	*	*	*

- (1) Power supply 230V - Hydraulic connections Ø 1/2"

Condensate drip

Model	Ver	10	20	30	40	50
BCSV	ULS,ULS_C	*	*	*	*	*

Condensate drainage

Model	Ver	10	20	30	40	50
DSC7	ULS,ULS_C	*	*	*	*	*

Pair of stylish structural feet

Model	Ver	10	20	30	40	50
ZXS	ULS,ULS_C	*	*	*	*	*

PERFORMANCE SPECIFICATIONS

2-pipe

	ULS10			ULS20			ULS30			ULS40			ULS50				
	1	2	3	1	2	3	1	2	3	1	2	3	1	2	3		
	L	M	H	L	M	H	L	M	H	L	M	H	L	M	H		
Heating performance 70 °C / 60 °C (1)																	
Heating capacity	kW		0,61	1,16	1,64	1,14	2,18	3,08	1,48	2,84	4,00	1,89	3,64	5,13	2,27	4,37	6,15
Water flow rate system side	l/h		53	102	144	99	191	269	129	248	350	166	318	448	199	382	538
Pressure drop system side	kPa		1	4	7	4	11	21	3	8	15	4	13	25	3	9	16
Heating performance 45 °C / 40 °C (2)																	
Heating capacity	kW		0,30	0,58	0,82	0,56	1,09	1,53	0,73	1,41	1,99	0,94	1,81	2,55	1,13	2,17	3,06
Water flow rate system side	l/h		52	101	142	98	189	266	128	245	346	164	315	443	196	378	532
Pressure drop system side	kPa		1	4	7	4	12	22	3	9	16	4	14	26	3	9	17
Cooling performance 7 °C / 12 °C (3)																	
Cooling capacity	kW		0,30	0,57	0,80	0,55	1,07	1,50	0,72	1,38	1,95	0,92	1,78	2,50	1,11	2,13	3,00
Sensible cooling capacity	kW		0,22	0,43	0,62	0,42	0,81	1,17	0,54	1,05	1,52	0,69	1,35	1,95	0,83	1,62	2,34
Water flow rate system side	l/h		51	97	137	95	183	257	124	238	335	158	305	429	190	366	515
Pressure drop system side	kPa		1	4	8	4	13	25	3	10	18	5	16	29	3	10	19
Fan																	
Type	type		Tangential														
Fan motor	type		Asynchronous														
Number	no.		1			1			1			2			2		
Air flow rate	m ³ /h		47	86	115	87	158	210	111	203	270	144	263	350	161	293	390
Input power	W		9	16	21	15	21	32	17	32	42	22	40	53	18	26	56
Electrical wiring			V1	V2	V3	V1	V2	V3	V1	V2	V3	V1	V2	V3	V1	V2	V3
Fan coil sound data (4)																	
Sound power level	dB(A)		42,0	49,0	52,0	42,0	49,0	52,0	43,0	50,0	53,0	44,0	51,0	54,0	45,0	52,0	55,0
Water coil																	
Water content main coil	l		0,5			0,9			1,2			1,8			1,5		
Diametre hydraulic fittings																	
Main coil	Ø		1/2"														
Power supply																	
Power supply			230V~50Hz														

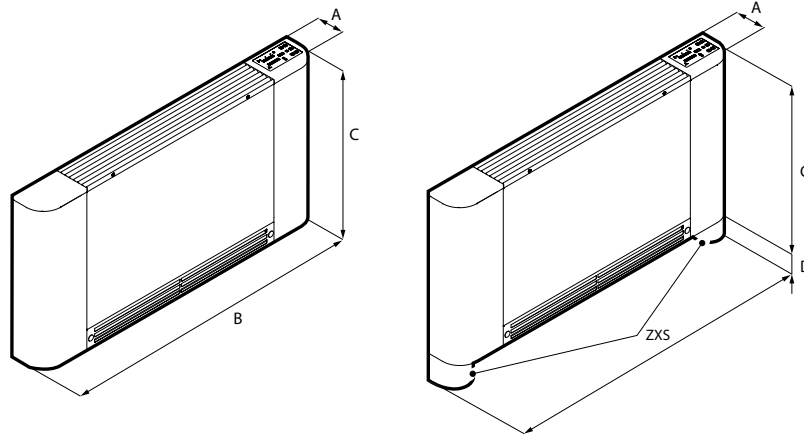
(1) Room air temperature 20 °C d.b.; Water (in/out) 70 °C/60 °C

(2) Room air temperature 20 °C d.b.; Water (in/out) 45 °C/40 °C; EUROVENT

(3) Room air temperature 27 °C d.b./19 °C w.b.; Water (in/out) 7 °C/12 °C; EUROVENT

(4) Aermec determines the sound power value on the basis of measurements taken in accordance with standard UNI EN 16583:15, respecting the Eurovent certification.

DIMENSIONS



Size			10	20	30	40	50
Dimensions and weights							
A	ULS,ULS_C	mm	130	130	130	130	130
B	ULS,ULS_C	mm	745	940	1134	1328	1524
C	ULS,ULS_C	mm	580	580	580	580	580
D	ULS,ULS_C	mm	80	80	80	80	80
Empty weight	ULS,ULS_C	kg	11	13	15	17	19

Aermec reserves the right to make any modifications deemed necessary. All data is subject to change without notice. Aermec does not assume responsibility or liability for errors or omissions.

Aermec S.p.A.

Via Roma, 996 - 37040 Bevilacqua (VR) - Italia
Tel. 0442633111 - Telefax 044293577
www.aermec.com