

panel radiators



Vertical

The Vertical Compact radiator with its standard series moderately priced central connection convinces by its discreet aesthetics. The clear, slim lines and the constrained build depth give the Vertical a pleasing appearance. Though it requires astonishingly little room, proven convector technology ensures a particularly high heating performance. For the bathroom and kitchen also available with a towelrail.

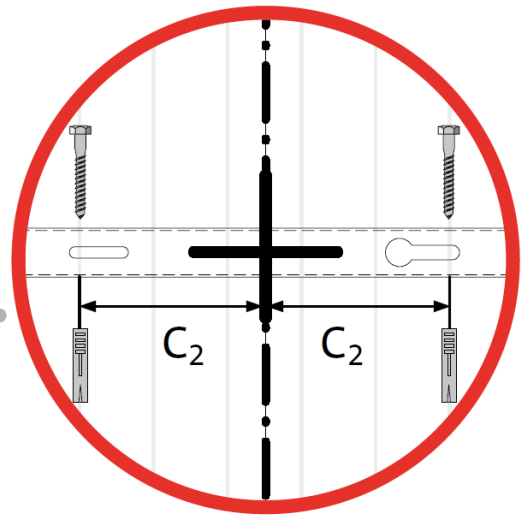
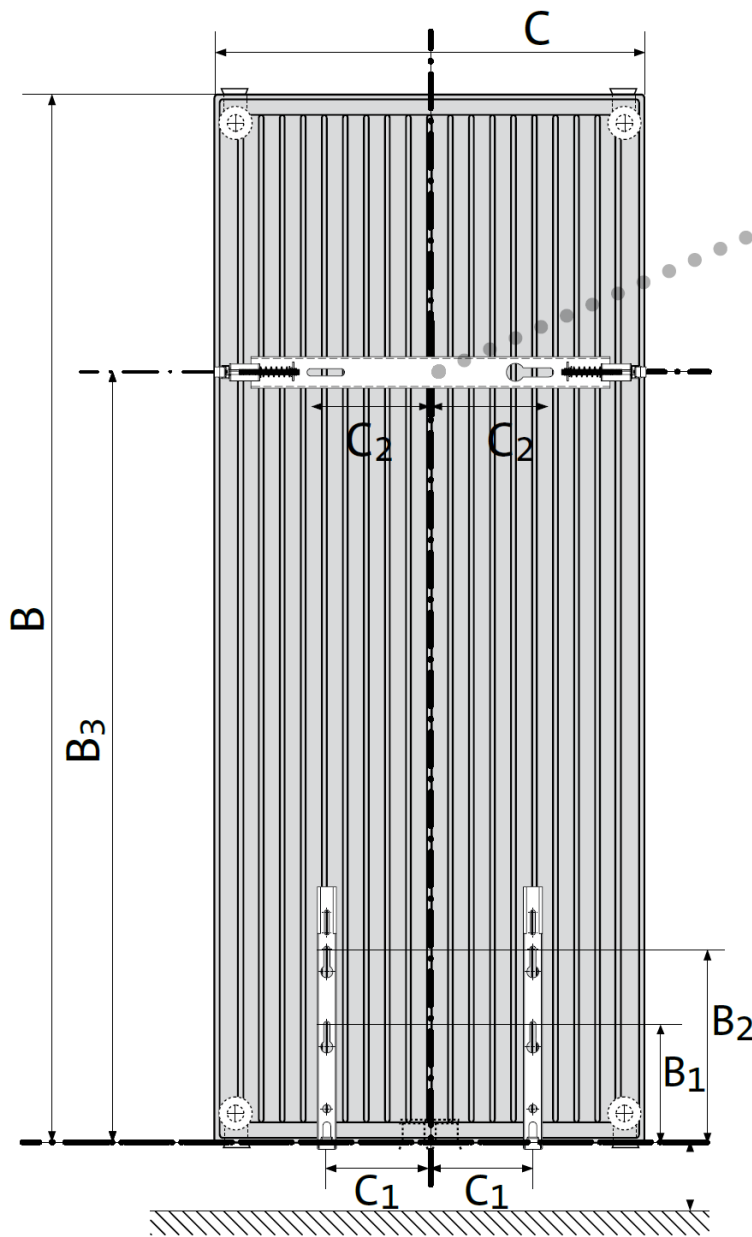
Connections	6 x 1/2" BSP (15/21) A vertical radiator can be used in 2-pipe systems and in 1-pipe systems, when the valve set is used.
Installation	with brackets
Package	profiled radiator with brackets, 2 side covers (exc. type 10C), installation clips, 1 fixing template, 1 rotating airvent, 3 blank caps, screws and plugs
Colours	standard colour is RAL 9016 other available colours see p. 145
Accessories	see p. 138



Vertical

panel radiators

installation



B = height
C = length

C	300	450	600	750
C ₁	75	100	175	250
C ₂	50	125	200	275

B	1500	1800	1950	2100	2300
B ₃	1150	1450	1600	1750	1950
B ₁	T10 = 170		T20-21-22 = 150		
B ₂	T10 = 270		T20-21-22 = 250		

water content : l/m

type	1500	1800	1950	2100	2300
10C	9,83	10,13	11,07	12,00	
20C		21,83	23,78	25,65	
21C		21,47	24,13	25,47	
22C		21,60	23,13	24,67	26,67

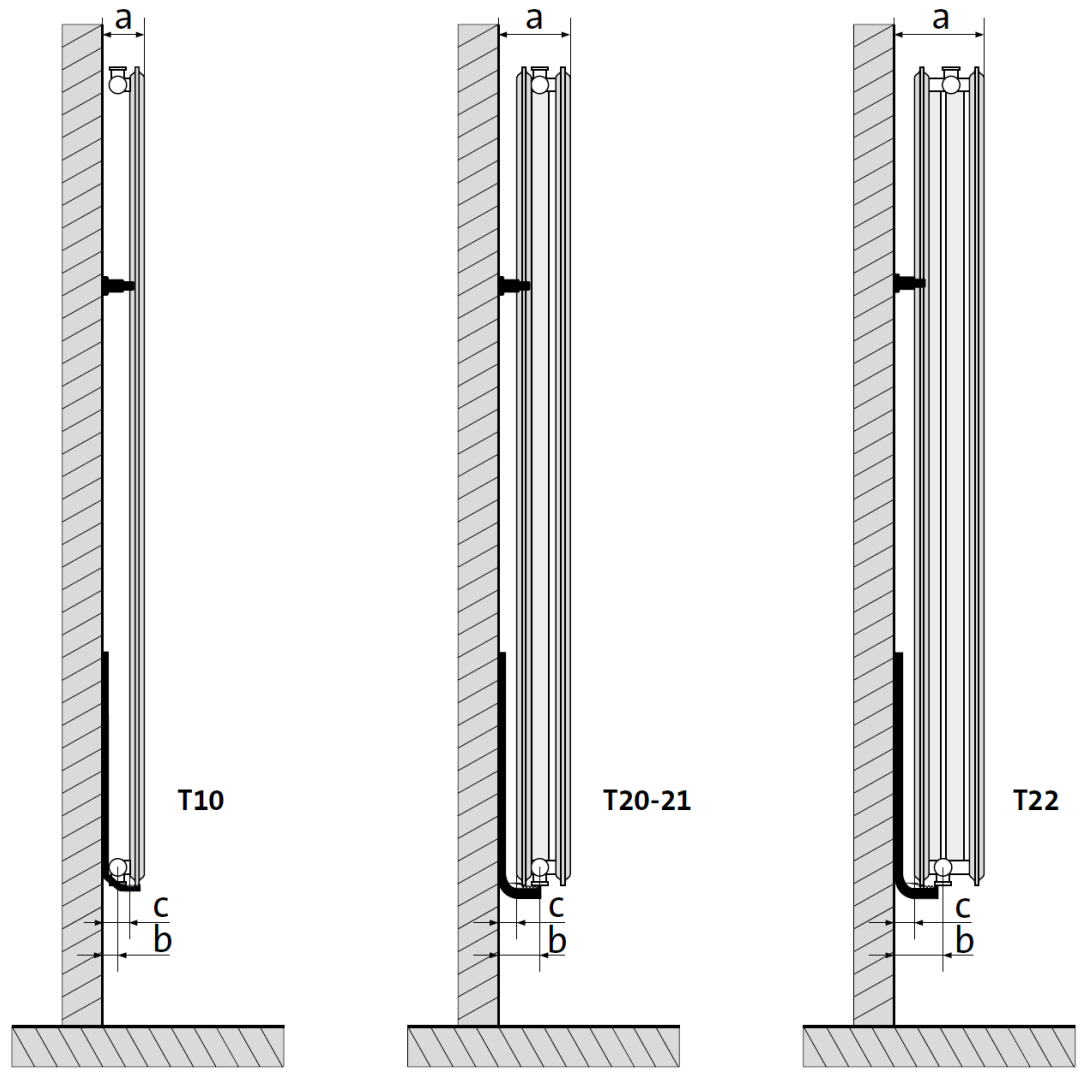
weight : kg/m

type	1500	1800	1950	2100	2300
10C	31,33	37,47	38,67	40,13	
20C		71,33	77,07	81,73	
21C		83,07	91,33	96,93	
22C		93,87	102,33	110,80	118,27

panel radiators

Vertical

installation



B = height
C = length

type 10C

- a : 80 mm
- b : 43 mm
- c : 65 mm

type 20C + 21C

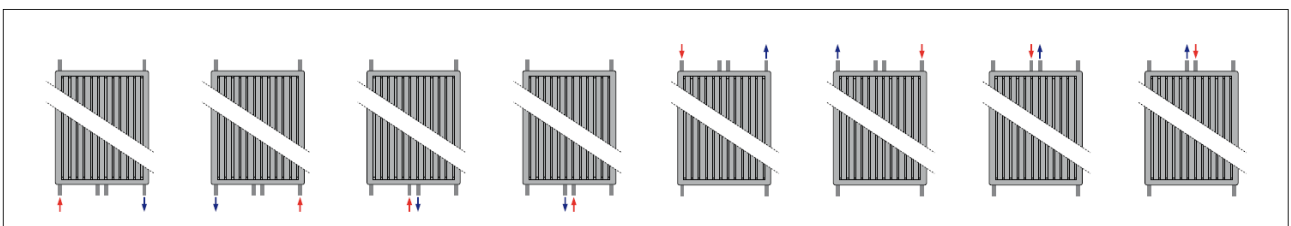
- a : 108 mm
- b : 67 mm
- c : 27 mm

type 22C

- a : 133 mm
- b : 67 mm
- c : 27 mm

connections

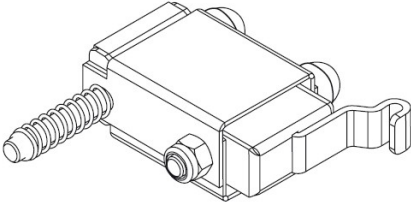
Other connections are not possible.



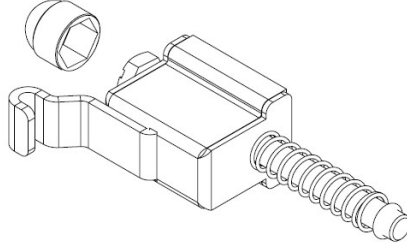
Vertical

panel radiators

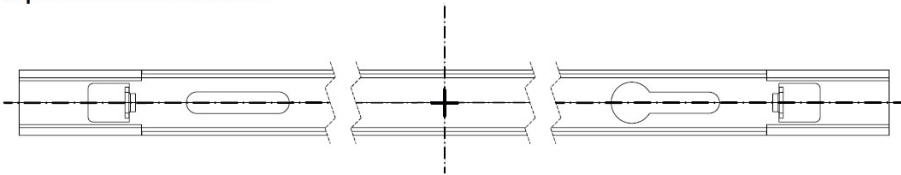
mounting
top bracket T10



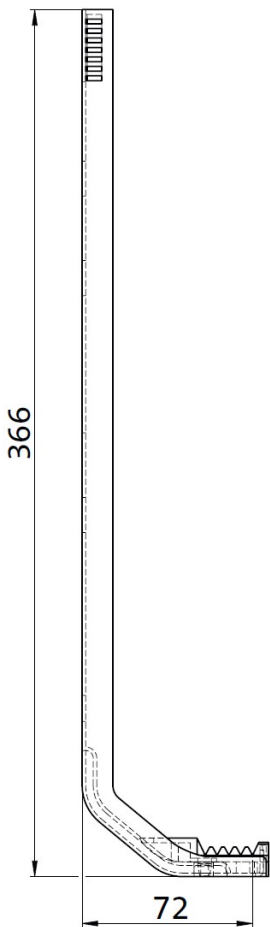
mounting
top bracket T20-21-22



top bracket T10-20-21-22



bottom bracket
T10



bottom bracket
T20-21-22

